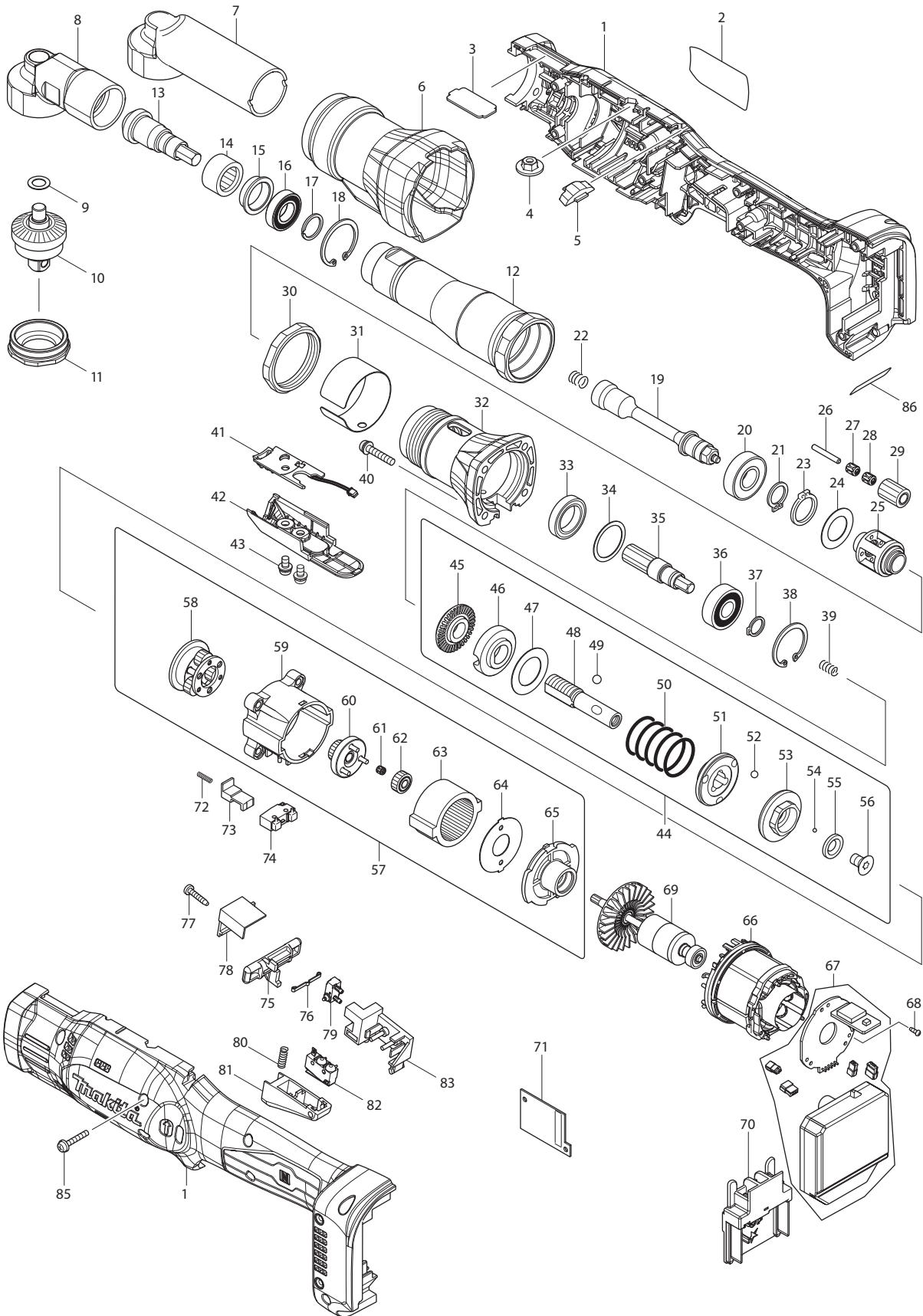




04 - 2015  
DFL650FZ  
18V ANGLE WRENCH



Item No.	Type	Sub	Part No.	Description	Qty	Unit
1			183A78-5	HOUSING SET (W/O HOOK HOLE)	1	PC.
		INC.	263005-3	RUBBER PIN 6	2	PC.
2			850S66-2	NAME PLATE F/DFL650F	1	PC.
3			346862-5	PLATE L	1	PC.
4			252142-8	HEX.NUT FLANGE M5	1	PC.
5	1		455767-9	LENS	1	PC.
	2		458391-7	LENS	1	PC.
6			455773-4	PROTECTOR G	1	PC.
7			455771-8	PROTECTOR E	1	PC.
8	1		143051-1	* ANGLE HEAD COMPLETE	1	PC.
	2		143716-5	* ANGLE HEAD COMPLETE	1	PC.
9			253777-8	FLAT WASHER 8	1	PC.
10	1		143050-3	* SPINDLE A COMPLETE	1	PC.
	2		143714-9	* SPINDLE A COMPLETE	1	PC.
11			285739-8	BEARING RETAINER 20-34	1	PC.
12	1		143136-3	* INTERNAL GEAR HOUSING COMPLETE	1	PC.
	2		143717-3	* INTERNAL GEAR HOUSING COMPLETE	1	PC.
13	1		227643-5	* SPIRAL BEVEL GEAR 9	1	PC.
	2		221443-5	* SPIRAL BEVEL GEAR 9	1	PC.
14			212222-2	NEEDLE BEARING 1612	1	PC.
15	1		326490-2	* SPACER	1	PC.
	2		326709-9	* SPACER	1	PC.
16	1		211288-9	* BALL BEARING 6901DDW	1	PC.
	2		211288-9	BALL BEARING 6901DDW	2	PC.
17			961082-6	RETAINING RING WR12	1	PC.
18	1		962103-7	* RETAINING RING R-24 - No longer used	1	PC.
19	1		326488-9	* SHAFT	1	PC.
	2		326708-1	* SHAFT	1	PC.
20			211131-2	BALL BEARING 6001DDW	1	PC.
21			961072-9	RETAINING RING S-12	1	PC.
22			234392-7	COMPRESSION SPRING 6	1	PC.
23			961056-7	RETAINING RING S-16	1	PC.
24			253749-3	FLAT WASHER 16	1	PC.
25			326491-0	CARRIER	1	PC.
26			256221-4	PIN 3	4	PC.
27			212131-5	NEEDLE CAGE 307	4	PC.
28			212131-5	NEEDLE CAGE 307	4	PC.
29			227364-9	SPUR GEAR 14	4	PC.
30			252187-6	HEX. NUT M36-41	1	PC.
31			346863-3	RING 38R	1	PC.
32			317808-8	CLUTCH CASE	1	PC.
33			211283-9	BALL BEARING 6803ZZ	1	PC.
34			267283-7	FLAT WASHER 21	1	PC.
35			227365-7	SPUR GEAR 13	1	PC.
36			211088-7	BALL BEARING 6000DDW	1	PC.
37			961026-6	RETAINING RING S-10	1	PC.
38			962105-3	RETAINING RING R-26	1	PC.
39			233019-6	COMPRESSION SPRING 5	1	PC.
40			265145-3	+ PAN HEAD SCREW M4X22	4	PC.
41			620396-9	LED CIRCUIT	1	PC.
42	1		455765-3	SWITCH COVER	1	PC.
	2		457976-6	SWITCH COVER	1	PC.
43			265171-2	PAN HEAD SCREW M4X8	2	PC.
44	2		125392-7	CLUTCH ASS'Y E	1	PC.
	2	INC.		Item No. 45-56		
45			324834-0	LOCK NUT M12	1	PC.
46			158408-3	ADJUST RING COMPLETE	1	PC.

Item No.	Type	Sub	Part No.	Description	Qty	Unit
47			267276-4	FLAT WASHER 18	1	PC.
48			324296-2	SPINDLE	1	PC.
49			216018-3	STEEL BALL 5.0	3	PC.
50	2		233385-1	COMPRESSION SPRING 19D	1	PC.
51			223146-7	CAM D	1	PC.
52			216024-8	STEEL BALL 4	3	PC.
53			223139-4	CAM A	1	PC.
54			216019-1	STEEL BALL 3	13	PC.
55			267247-1	FLAT WASHER 7	1	PC.
56			266305-0	TORX C.S HEAD SCREW M5X10	1	PC.
57			123294-1	GEAR ASSEMBLY F	1	PC.
		INC.		Item No. 58-65		
58			143137-1	CARRIER COMPLETE	1	PC.
59			418004-2	GEAR CASE	1	PC.
60			143052-9	SPUR GEAR 20 COMPLETE	1	PC.
61			212132-3	NEEDLE CAGE 205	3	
62			227366-5	SPUR GEAR 18	3	PC.
63			227048-9	INTERNAL GEAR 47	1	PC.
64			267774-8	LOCK WASHER	1	PC.
65			418003-4	MOTOR BRACKET	1	PC.
66			629151-6	STATOR 18V	1	PC.
67	2		620512-3	CONTROLLER	1	PC.
68			266490-9	TAPPING SCREW PT 2X6	3	PC.
69			619364-7	ROTOR	1	PC.
70			643860-3	TERMINAL	1	PC.
71			620397-7	RF UNIT	1	PC.
72			234361-8	COMPRESSION SPRING 2	1	PC.
73			418002-6	SWITCH LEVER	1	PC.
74			632E35-9	SWITCH UNIT	1	PC.
75			455766-1	F/R CHANGE LEVER	1	PC.
76			232201-4	LEAF SPRING	1	PC.
77			266130-9	TAPPING SCREW BIND PT 3X16	1	PC.
78			418204-4	COVER	1	PC.
79			638276-5	SWITCH UNIT	1	PC.
80			231397-8	COMPRESSION SPRING 4	1	PC.
81			418203-6	SWITCH LEVER A	1	PC.
82			638275-7	SWITCH UNIT	1	PC.
83			418202-8	SWITCH BASE	1	PC.
85			265095-2	PAN HEAD SCREW M3X20	8	PC.
86			850S69-6	SERIAL NO. LABEL F/DFL650F	1	PC.

#### **ACCESSORIES**

- See Catalogue or visit [www.makita.ca](http://www.makita.ca) for more accessories -

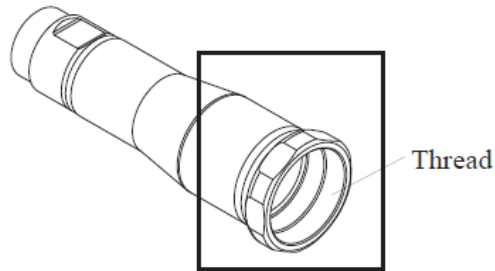
A01			765027-4	TORQUE ADJUST TOOL	1	PC.
A02			197045-8	ANTI KICK BACK ATTACHMENT	1	PC.
A03			---	18V LI-ION BATTERY	1	PC.
A04			---	BATTERY CHARGER	1	PC.
A05			---	LI-ION BATTERY ACCESSORIES	1	PC.
A06			---	TORQUE TRACER ACCESSORIES	1	PC.

**SERVICE CHANGES**

**1. Changes on Internal Gear Housing Complete**

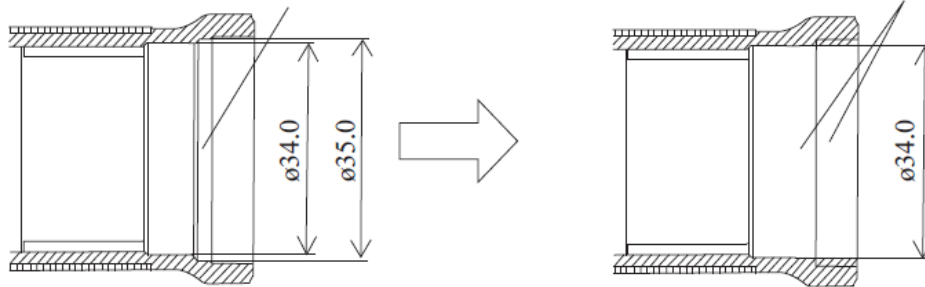
(TI#B1468)

Item No.	Description	Type 1	Type 2
12	Internal Gear Housing Complete	143136-3	143717-3



**Type 1**

**Type 2**



**2. Changes on Spiral bevel gear, etc.**

(T/I#B3338)

Item No.	Description	Type 1	Type 2
8	Internal Gear Housing Complete	143051-1	143716-5
10	Spindle A Complete	143050-3	143714-9
13	Spiral Bevel Gear 9	227643-5	221443-5
15	Spacer	326490-2	326709-9
16	Ball Bearing 6901DDW	211288-9 (1PC)	211288-9 (2PC)
18	Retaining Ring R-24 - No Longer Used	962103-7	N/A
19	Shaft	326488-9	326708-1

**Above parts are completely interchangeable as a set.**